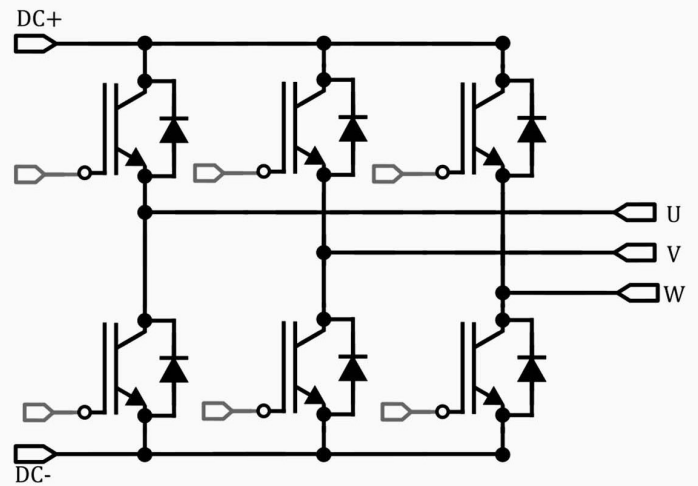
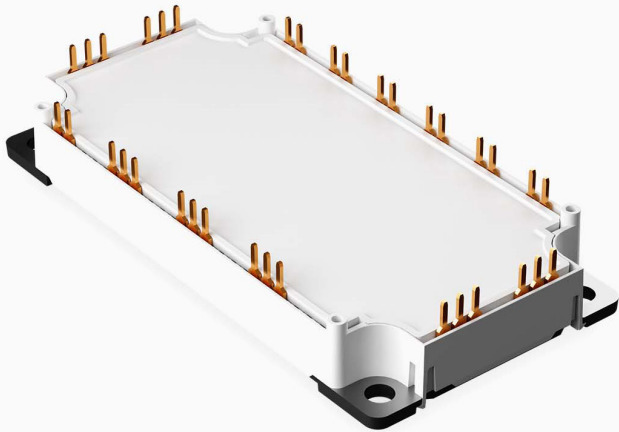


# Si IGBT 3-phase Inverter



## Specifications

IGBT 3-phase Inverter

Voltage rating: 600V

Current rating: 200A

Compact module with baseplate (107 cm<sup>3</sup>)

Drop-in replacement for existing systems

Conventional technology with higher reliability

Broad experience in customized solutions for high power and High precision applications. Contact us

[sales@prodrive-technologies.com](mailto:sales@prodrive-technologies.com)