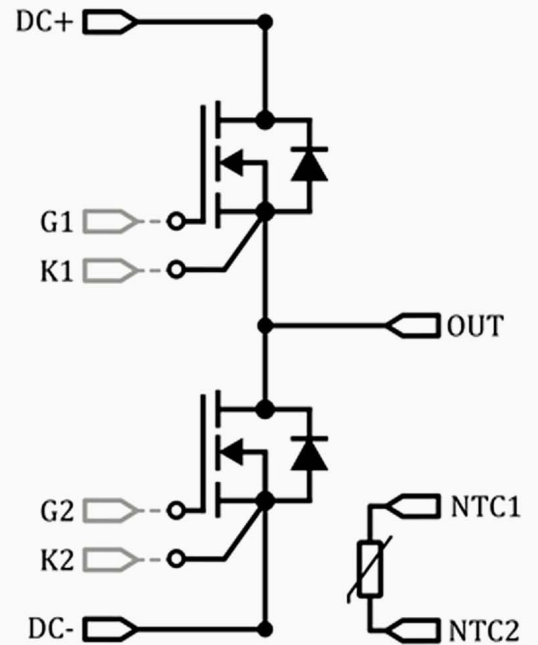
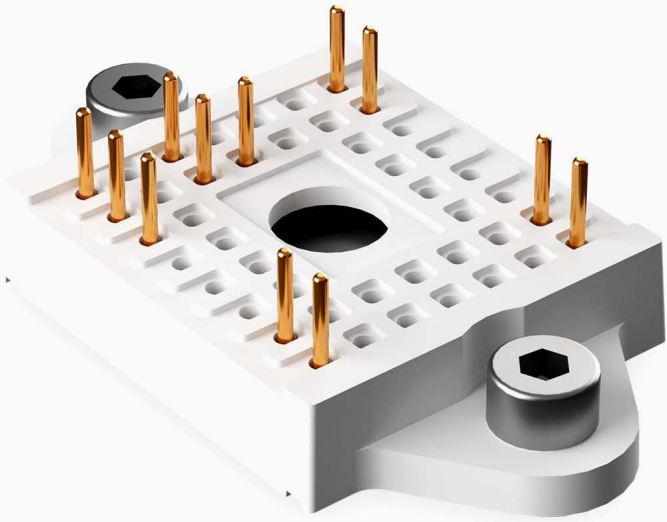


2-Level Half-Bridge



Specifications

2-Level Half-Bridge Topology

Voltage rating: 700V – 1200V

Current rating: 25 – 50 Arms, 150A pulsed

RdsOn: 10-20 mOhm

Smallest size module (7.5 cm³)

Optimized for volume, cost and packaging

Upgrade existing systems with minimal effort

Broad experience in customized solutions for high power and High precision applications. Contact us

sales@prodrive-technologies.com