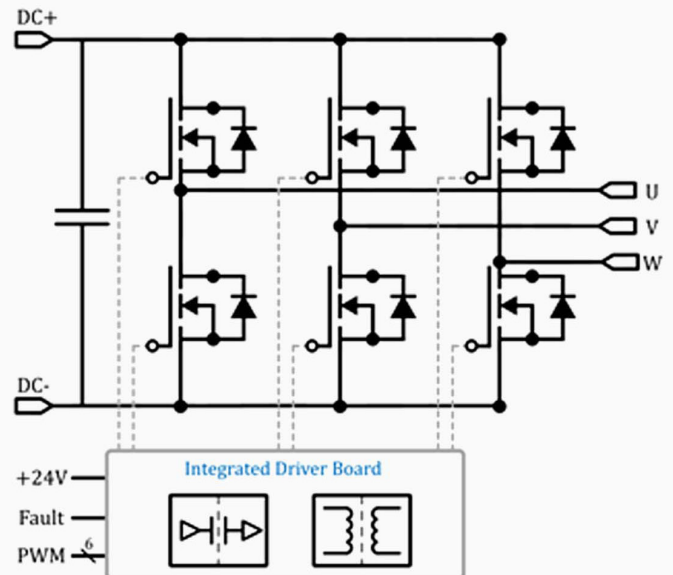
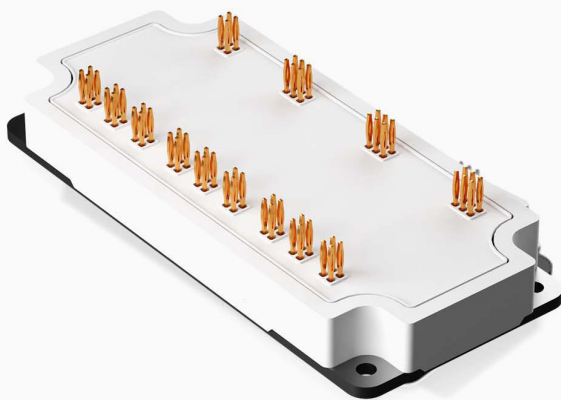


SiC MOSFET 3-phase Inverter



Specifications

3-phase Inverter Topology

Voltage rating: 650 - 1.2 kV

Current rating: 50 - 80 Arms, 150A pulsed

RdsOn: < 20 mOhm

Integrated isolated gate driver

- Short circuit protection

- 5 kV basic isolation

Integrated decoupling

Optimized for pulsed load application (<200ms)

Broad experience in customized solutions for high power and High precision applications. Contact us

sales@prodrive-technologies.com